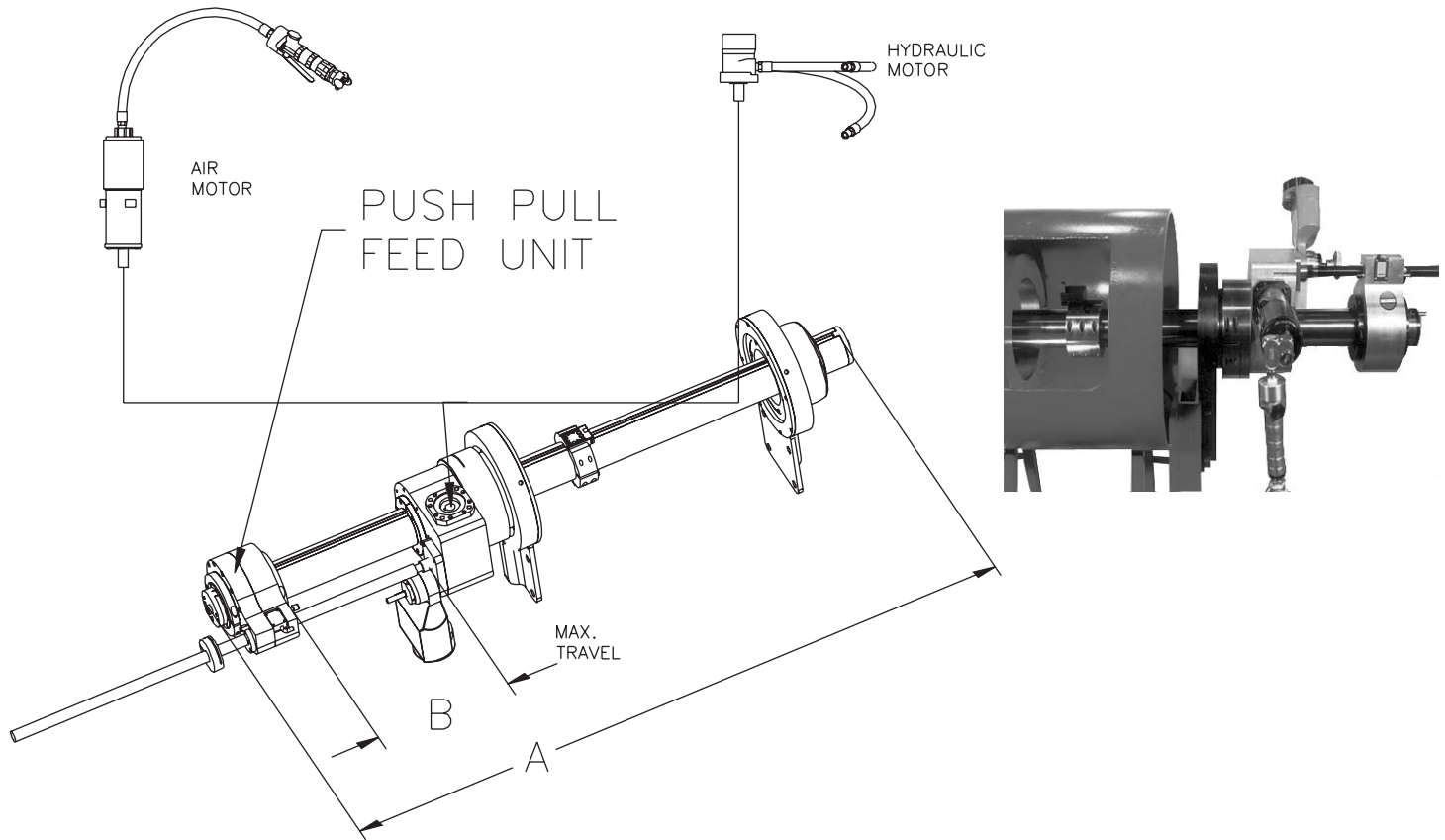


# 4" Portable Boring Bar Push-Pull



MODEL PUSH-PULL	UNIT OF MEASURE	"A" BAR LENGTH	"A" BAR LENGTH	"A" BAR LENGTH	"A" BAR LENGTH	"A" BAR LENGTH	"B" TRAVEL	MAX. WORK DIA.	MIN. WORK DIA.
2"	Std. -in	48.00	72.00	96.00			45.00	18.00	4.00
	Metric -mm	1219.2	1828.8	2438.4			1143.0	457.2	101.6
3"	Std. -in	48.00	72.00	96.00	120.00		45.00	26.00	5.00
	Metric -mm	1219.2	1828.8	2438.4	3048.0		1143.0	660.4	127.0
4"	Std. -in		72.00	96.00	120.00	144.00	45.00	36.00	6.00
	Metric -mm		1828.8	2438.4	3048.0	3657.6	1143.0	914.4	152.4



D.L. Ricci Corp.  
5001 Moundview Drive  
Red Wing, MN 55066

Phn: 651-388-8661  
Fax: 651-388-0002  
Web: [www.dlricci.com](http://www.dlricci.com)

Sales, Rental, Technical Support  
*Anytime. Anywhere.®*