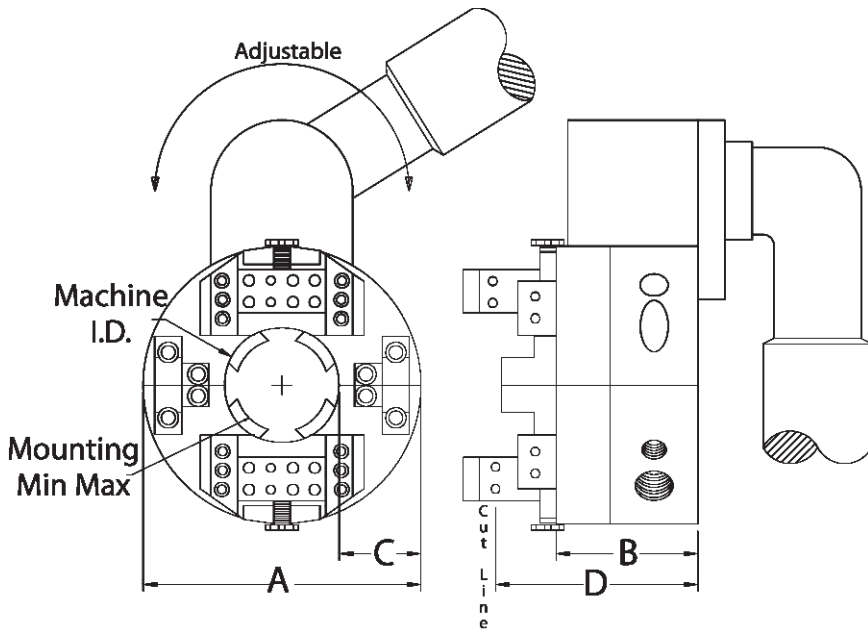


MC Clamshell

MODEL	UNIT OF MEASURE	MOUNTING MIN MAX	MACHINE I D	A	B	C	D*
MC1	Std. - in.	.840 - 1.375	1.625	5.438	3.25	1.906	4.313
	Metric - mm	21.3 - 34.93	41.3	138.1	82.6	48.4	109.5
MC2	Std. - in.	.840 - 2.375	2.625	6.438	3.25	1.906	4.313
	Metric - mm	21.3 - 60.3	66.7	163.5	82.6	48.4	109.5

* DIMENSION SUBJECT TO CHANGE WITH DIFFERENT TOOLING CONTACT YOUR SALES CONSULTANT FOR SPECIFICS.



D.L. Ricci Corp.
5001 Moundview Drive
Red Wing, MN 55066

Phn: 651-388-8661

Fax: 651-388-0002

Web: www.dlricci.com



Sales, Rental, Technical Support
Anytime. Anywhere.®