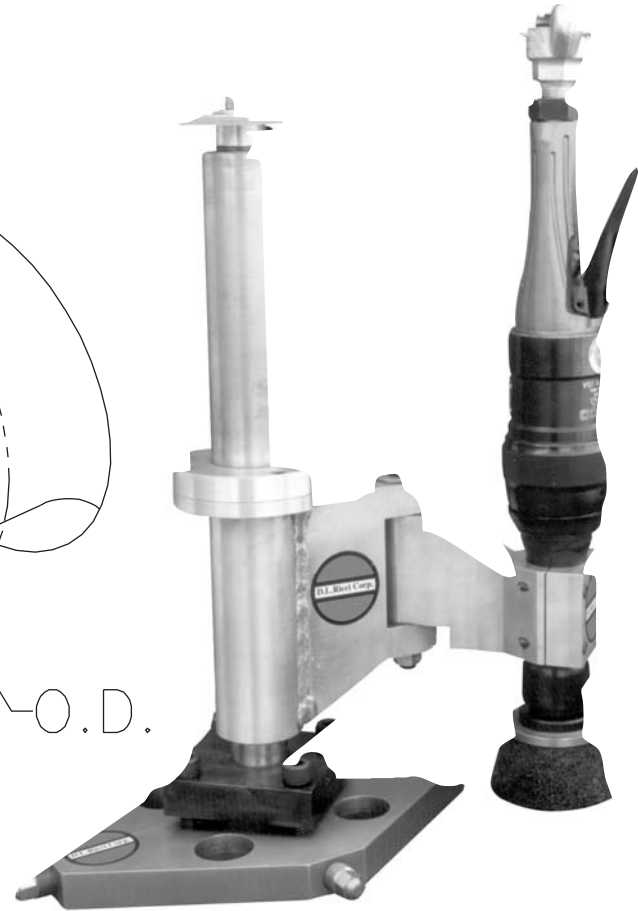
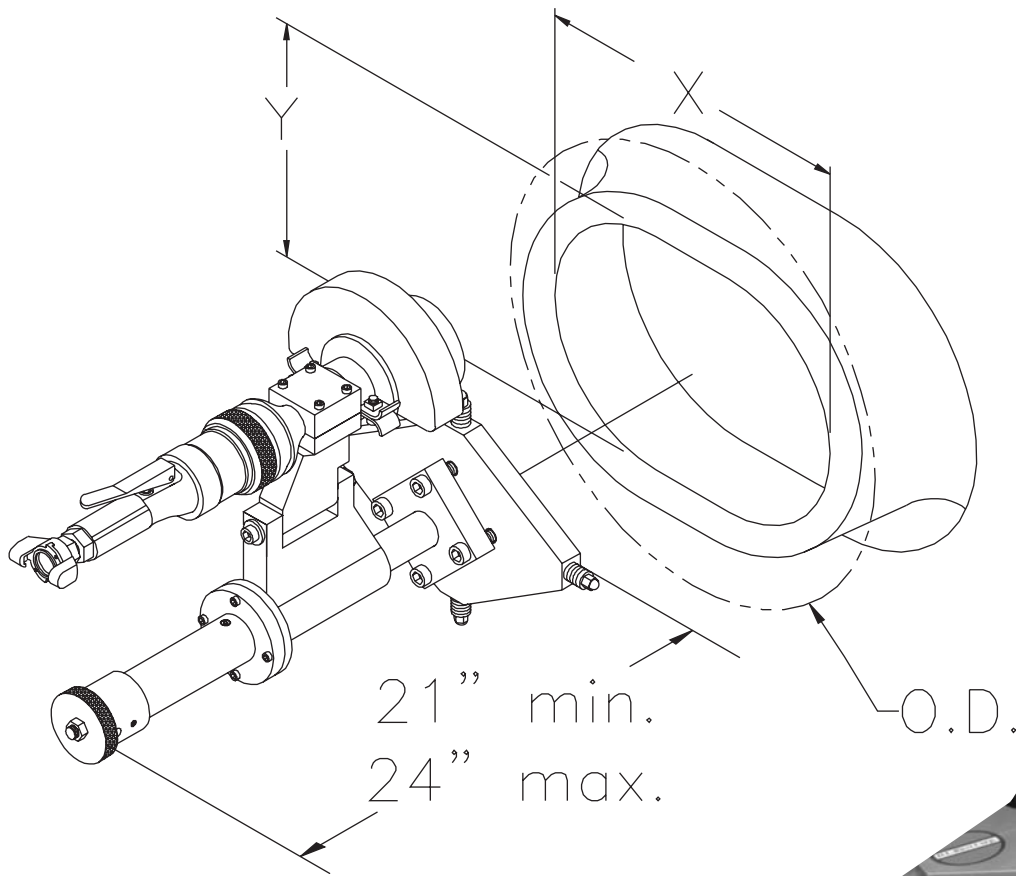


Oval Manway Seat Grinder



MODEL	UNIT OF MEASURE	X MIN.	X MAX.	Y MIN.	Y MAX.	MAX O.D.
STANDARD	Std. -in	12.50	19.50	8.50	15.50	20.00
	Metric -mm	317.5	495.3	215.9	393.7	508.0
With EXTENSION	Std. -in	18.50	25.50	14.50	21.50	28.00
	Metric -mm	469.9	647.7	368.3	546.1	711.2



®

D.L. Ricci Corp.
5001 Moundview Drive
Red Wing, MN 55066

Phn: 651-388-8661
Fax: 651-388-0002
Web: www.dlricci.com

Sales, Rental, Technical Support
Anytime. Anywhere.®